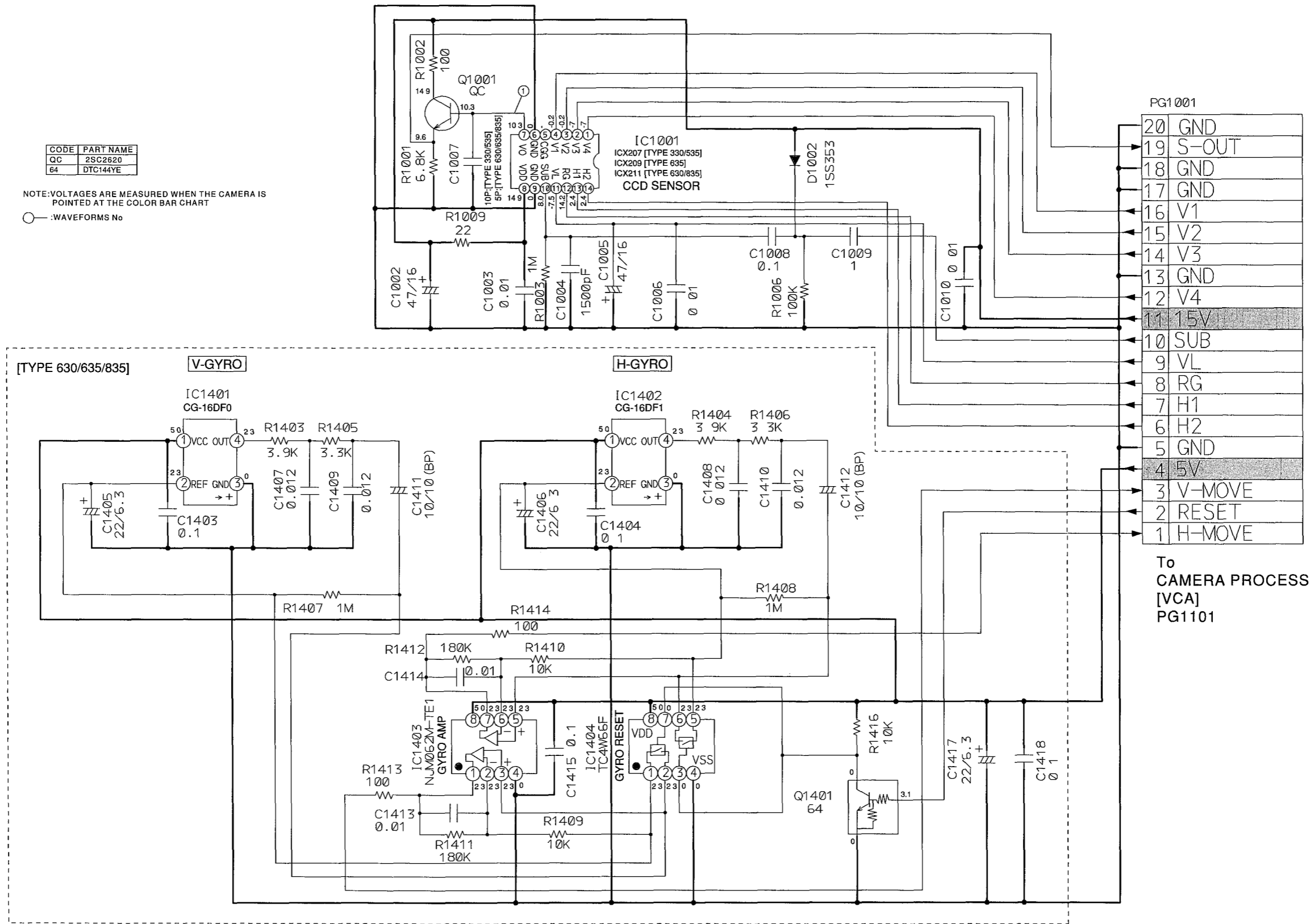


# SENSOR/GYRO [SE] SCHEMATIC DIAGRAM

CODE	PART NAME
QC	2SC2620
64	DTC144YE

NOTE: VOLTAGES ARE MEASURED WHEN THE CAMERA IS POINTED AT THE COLOR BAR CHART

○ .WAVEFORMS No



PG1 001	
20	GND
19	S-OUT
18	GND
17	GND
16	V1
15	V2
14	V3
13	GND
12	V4
11	15V
10	SUB
9	VL
8	RG
7	H1
6	H2
5	GND
4	5V
3	V-MOVE
2	RESET
1	H-MOVE

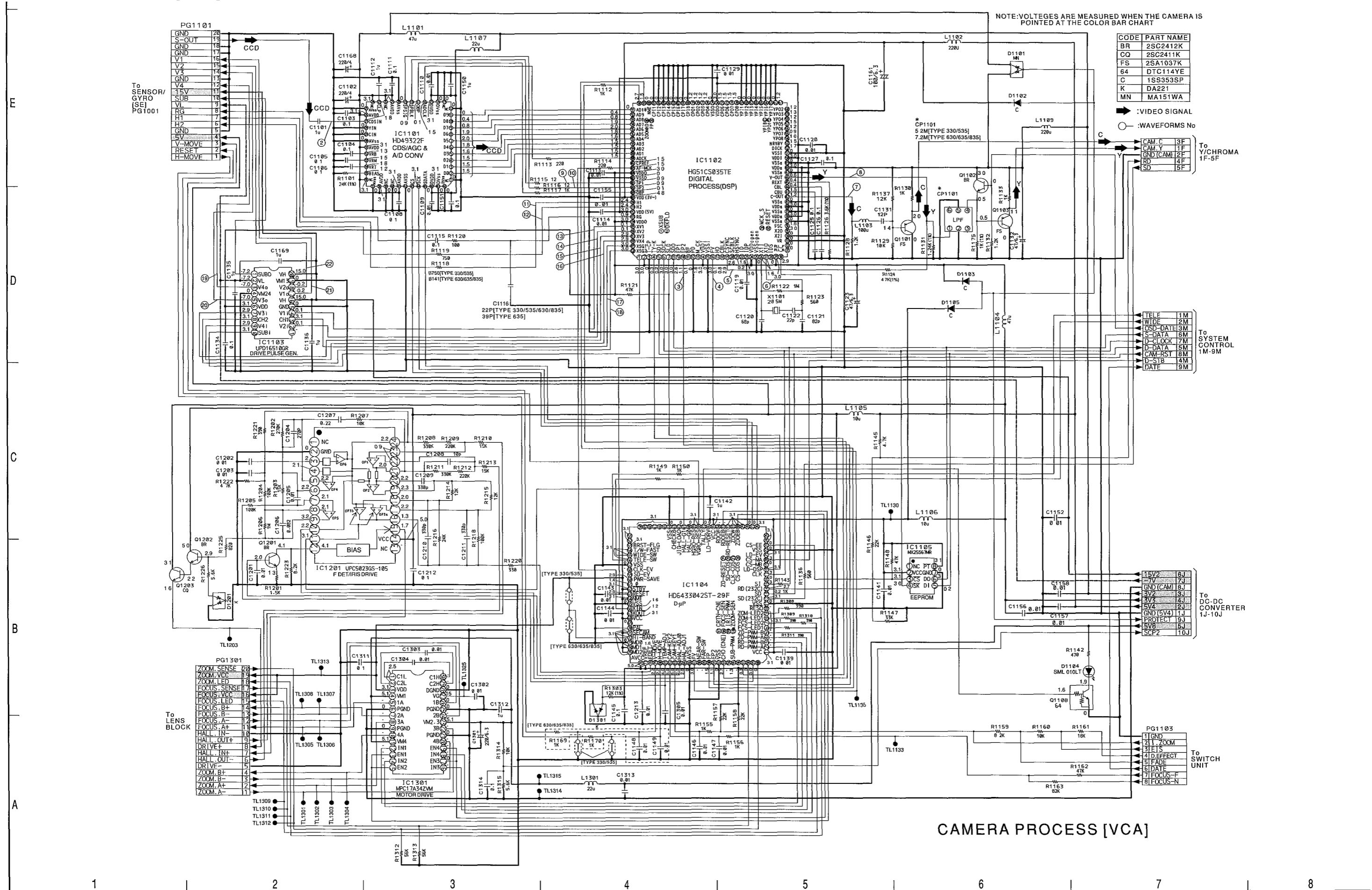
To  
CAMERA PROCESS  
[VCA]  
PG1101

## SENSOR/GYRO [SE]

1 2 3 4 5 6 7 8

SENSOR/GYRO 6-2 6-3 SENSOR/GYRO

# CAMERA PROCESS [VCA] SCHEMATIC DIAGRAM



NOTE: VOLTAGES ARE MEASURED WHEN THE CAMERA IS POINTED AT THE COLOR BAR CHART

CODE	PART NAME
BR	2SC2412K
CO	2SC2411K
FS	2SA1037K
64	DTC114YE
C	1SS353SP
K	DA221
MN	MA151WA

● : VIDEO SIGNAL  
○ : WAVEFORMS No

Signal	Value
CAM_C	3F
CAM_Y	1F
GND(CAM)	2E
RD	4F
SD	5F

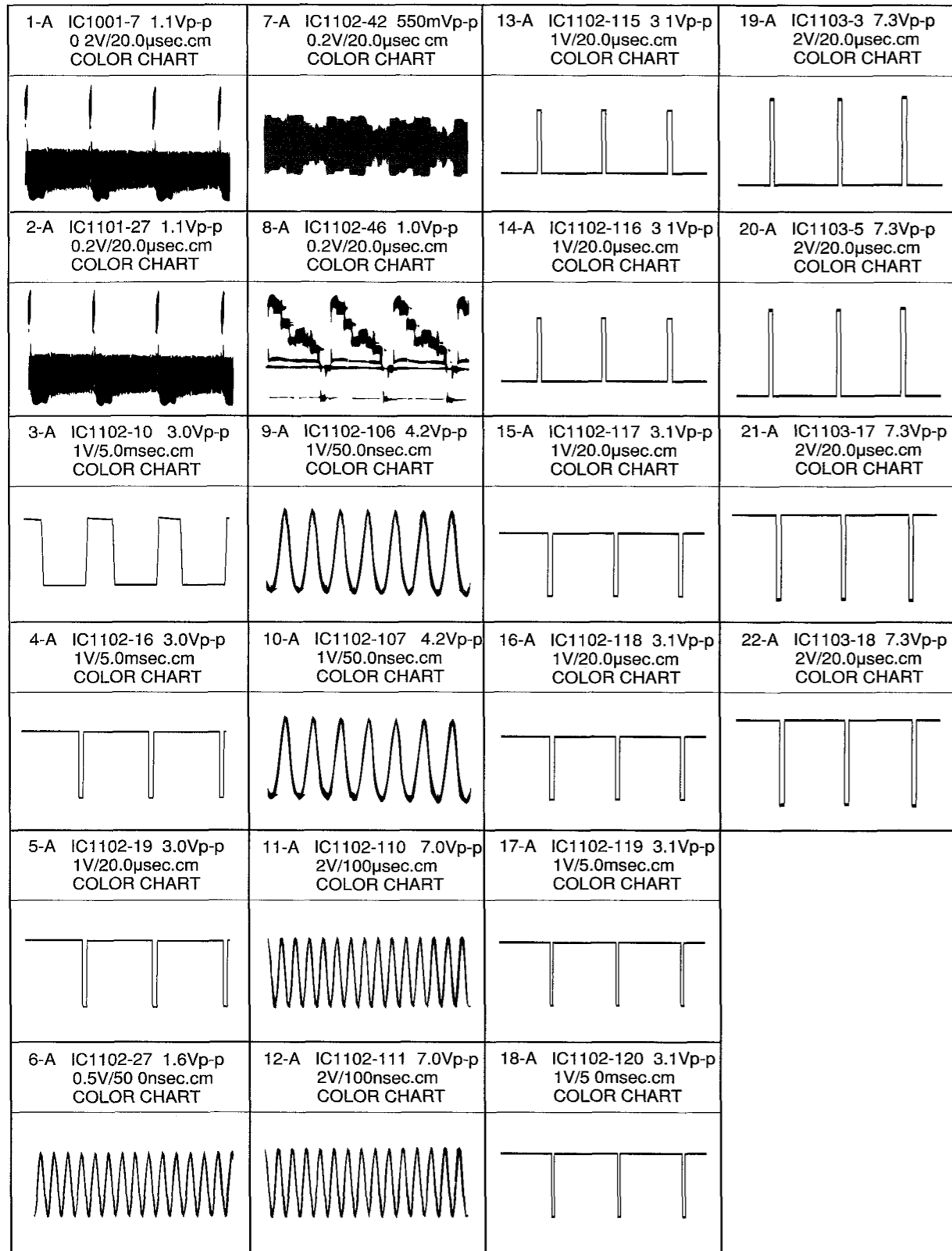
Signal	Value
TELE	1M
WIDE	2M
CSD-DATE	3M
S-DATA	6M
D-CLOCK	7M
D-DATA	5M
CAM_RST	8M
D-STB	4M
DATE	9M

Signal	Value
V5V2	6J
V5V1	7J
GND(CAM)	8J
V5V2	3J
V5V4	4J
GND(5V4)	1J
PROTECT	9J
5V8	5J
SCP2	10J

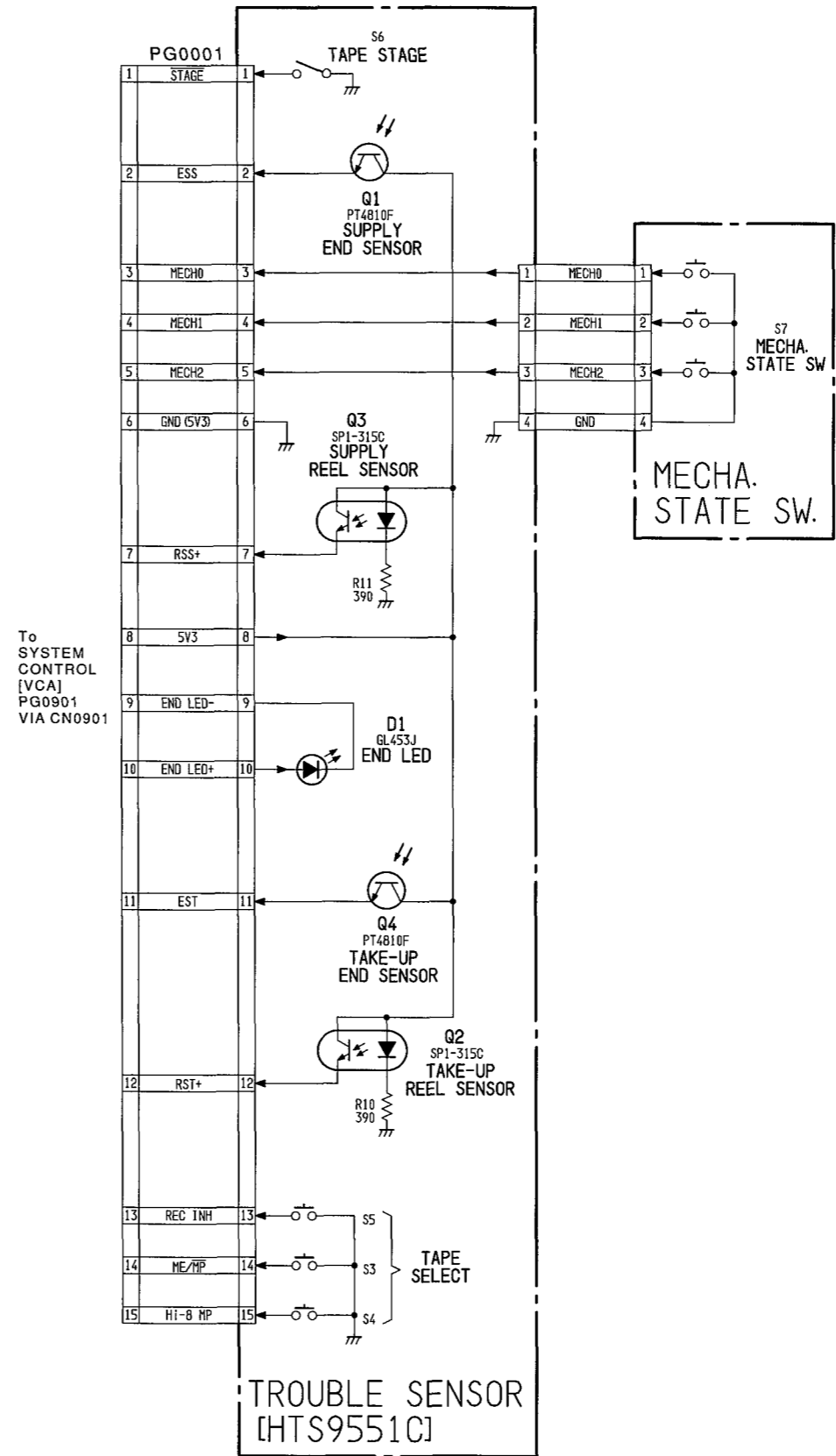
Signal	Value
11GND	21
ZOOM	22
31FS	31
41EFFECT	41
51FADE	51
61DATE	61
71FOCUS-F	71
81FOCUS-N	81

CAMERA PROCESS [VCA]

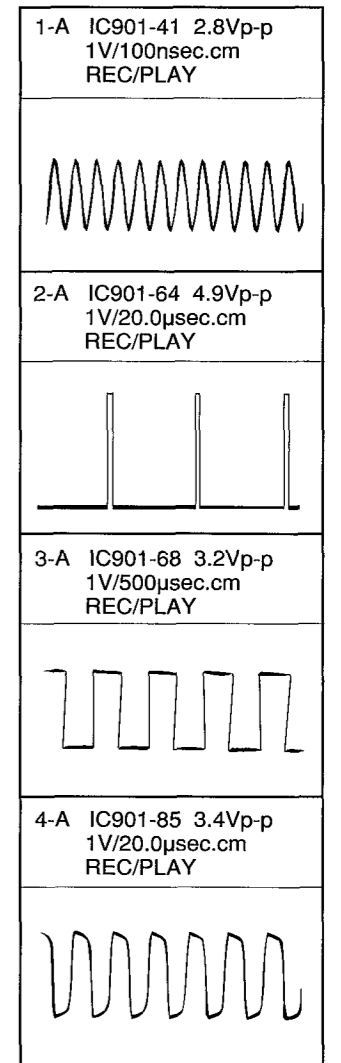
WAVEFORMS [CAMERA]



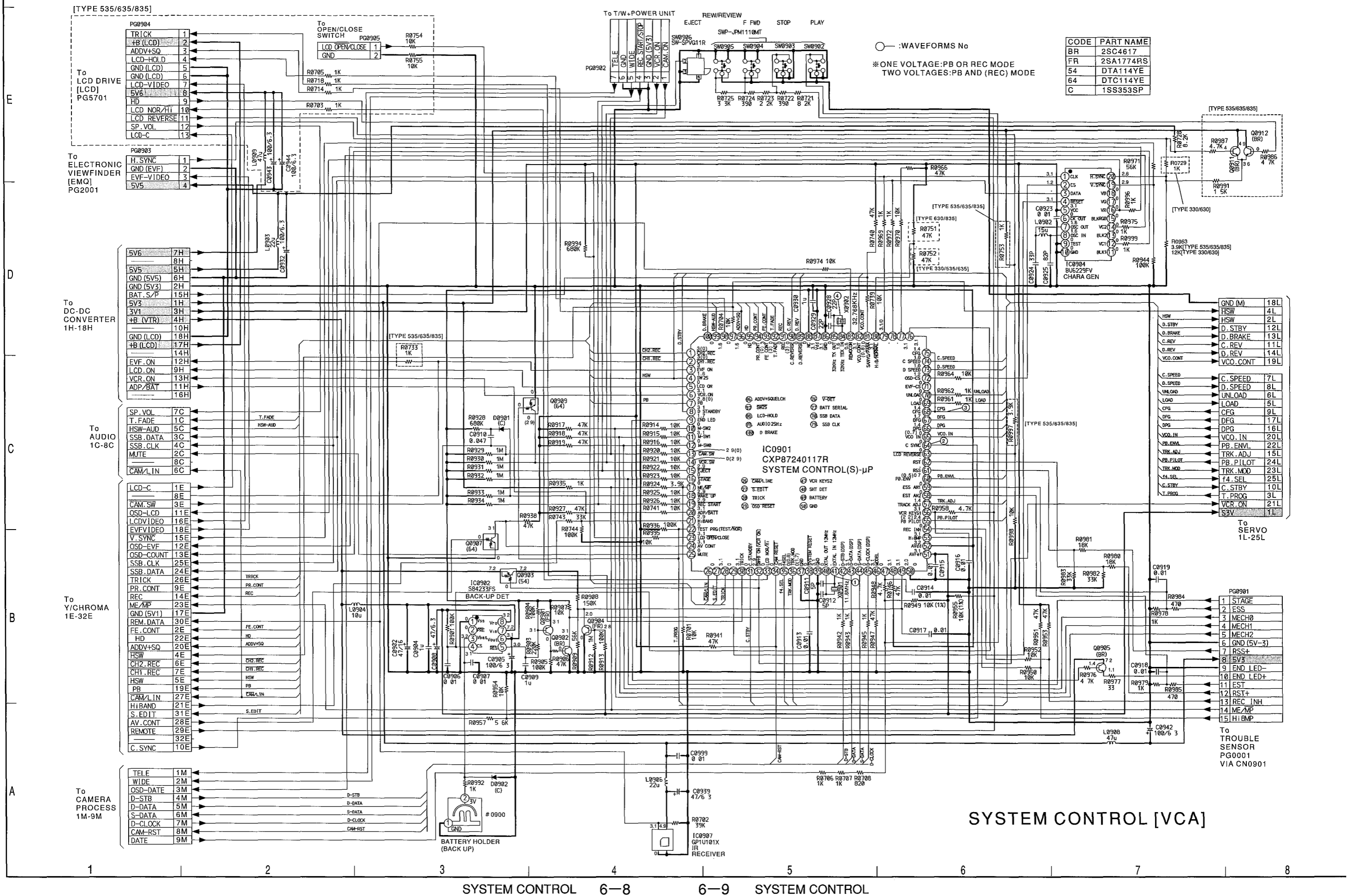
TROUBLE SENSOR [HTS9551C] SCHEMATIC DIAGRAM



WAVEFORMS [SYS.CON.]



# SYSTEM CONTROL [VCA] SCHEMATIC DIAGRAM



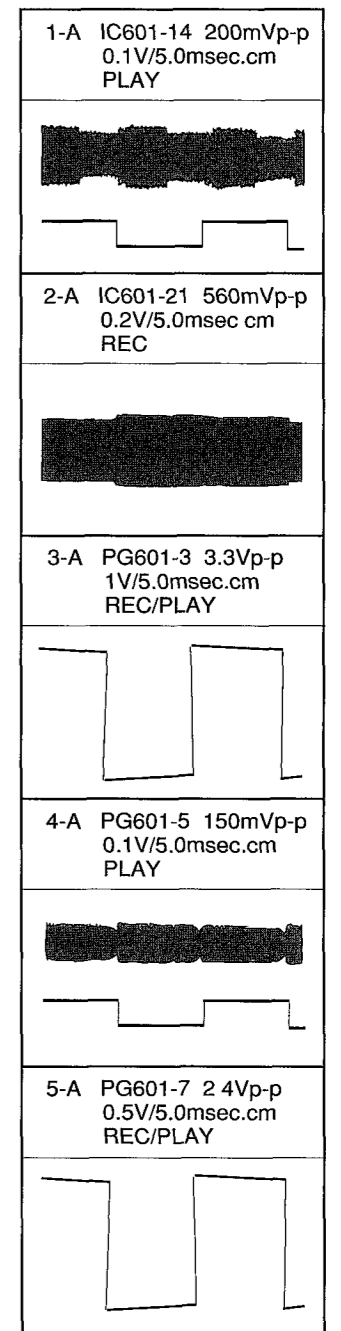
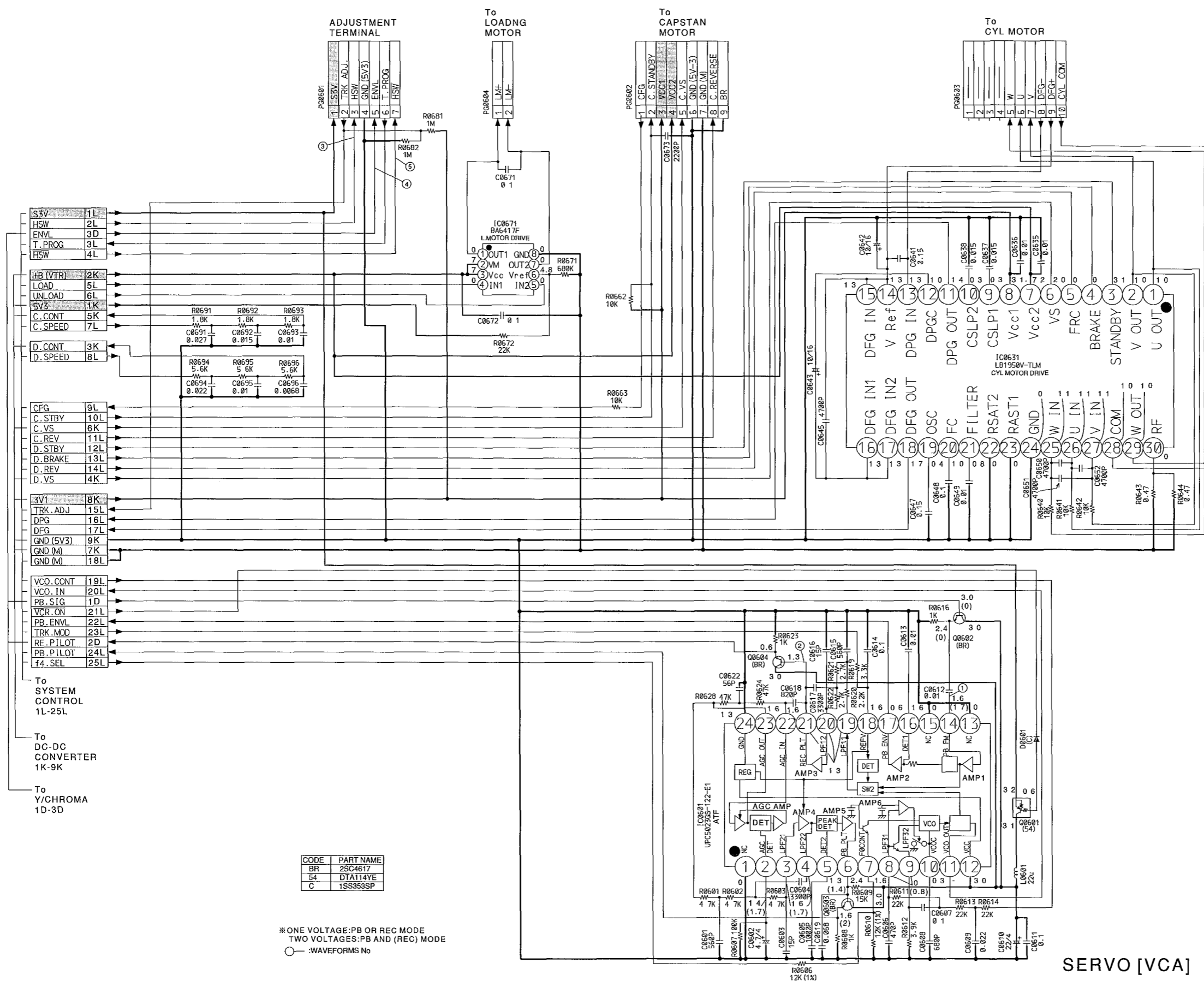
CODE	PART NAME
BR	2SC4617
FR	2SA1774RS
54	DTA114YE
64	DTC114YE
C	1SS535SP

○ : WAVEFORMS No  
 \* ONE VOLTAGE: PB OR REC MODE  
 TWO VOLTAGES: PB AND (REC) MODE

## SYSTEM CONTROL [VCA]

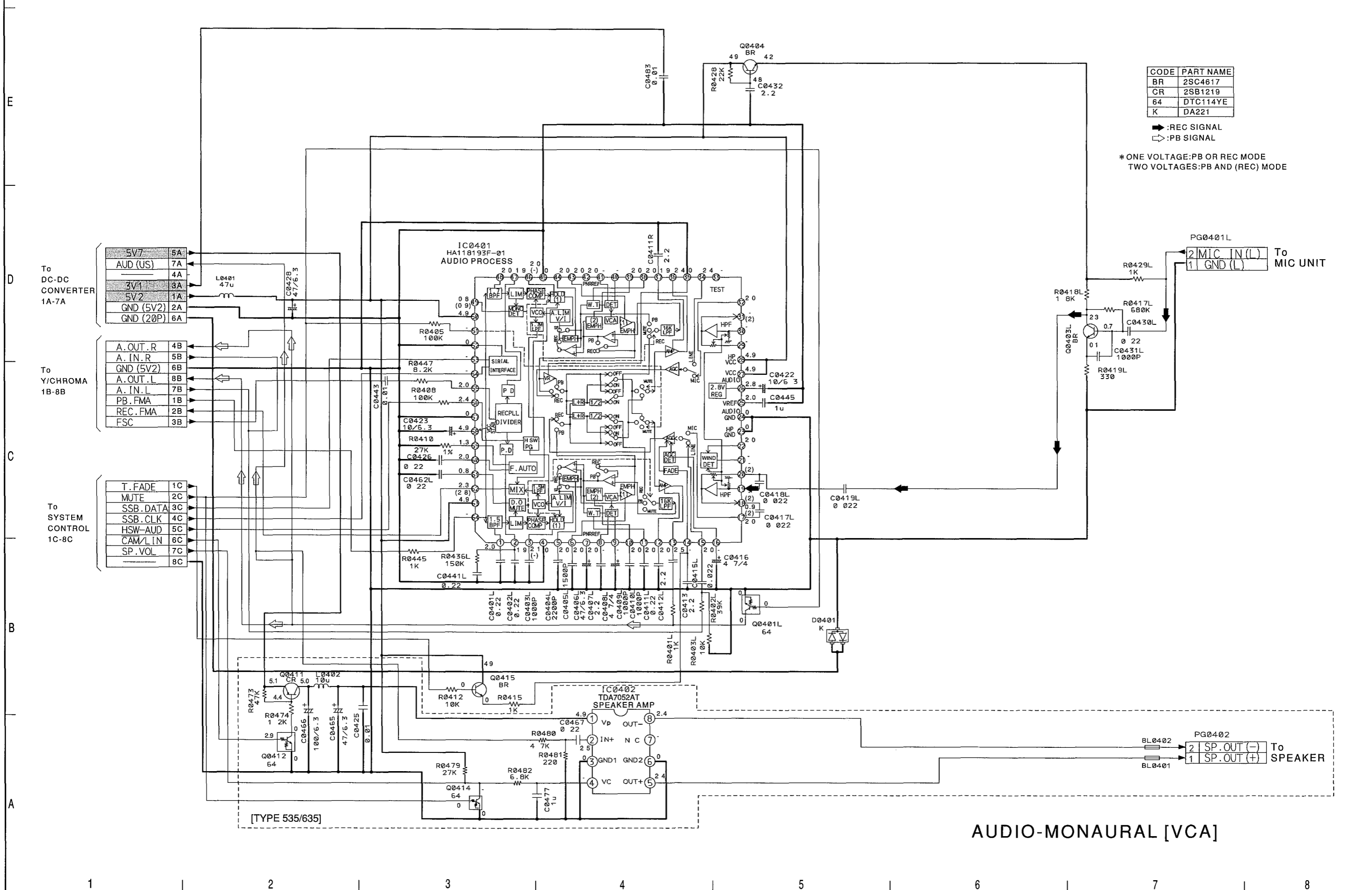
# SERVO [VCA] SCHEMATIC DIAGRAM

# WAVEFORMS [SERVO]



SERVO [VCA]

# AUDIO-MONAUURAL [VCA] SCHEMATIC DIAGRAM [TYPE 330,535,635]



CODE	PART NAME
BR	2SC4617
CR	2SB1219
64	DTC114YE
K	DA221

→ :REC SIGNAL  
 ⇨ :PB SIGNAL

\* ONE VOLTAGE:PB OR REC MODE  
 TWO VOLTAGES:PB AND (REC) MODE

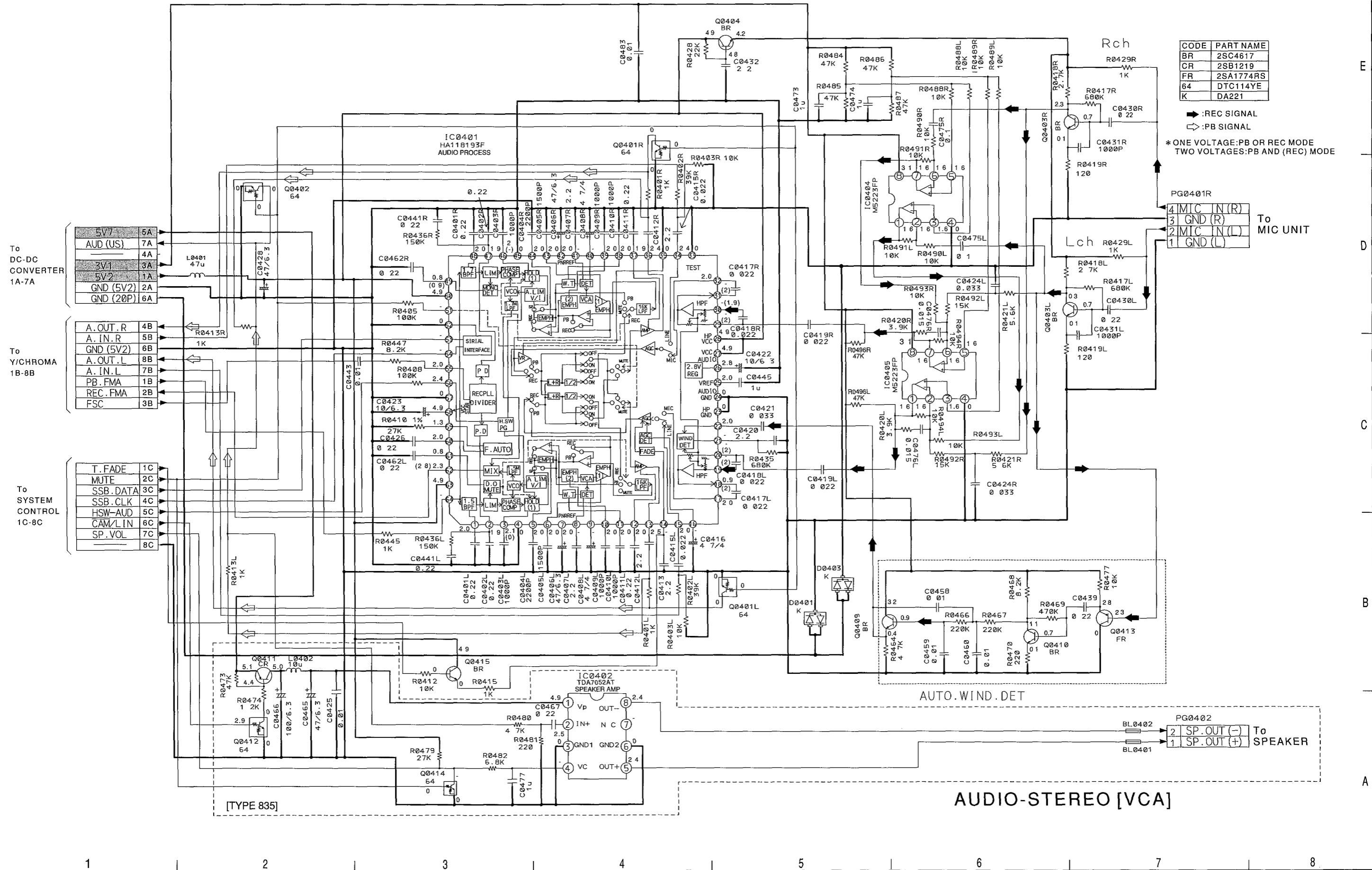
PG0401L  
 2 MIC IN (L)  
 1 GND (L) To MIC UNIT

PG0402  
 2 SP. OUT (-)  
 1 SP. OUT (+) To SPEAKER

[TYPE 535/635]

## AUDIO-MONAUURAL [VCA]

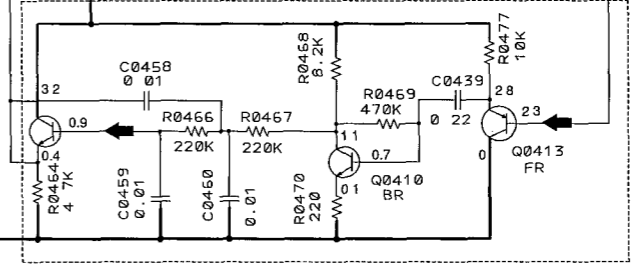
# AUDIO-STEREO [VCA] SCHEMATIC DIAGRAM [TYPE 630,835]



CODE	PART NAME
BR	2SC4617
CR	2SB1219
FR	2SA1774RS
64	DTC114YE
K	DA221

→ :REC SIGNAL  
 ⇨ :PB SIGNAL  
 \* ONE VOLTAGE:PB OR REC MODE  
 TWO VOLTAGES:PB AND (REC) MODE

PG0401R		To MIC UNIT	
4	MIC N (R)		
3	GND (R)		
2	MIC N (L)		
1	GND (L)		

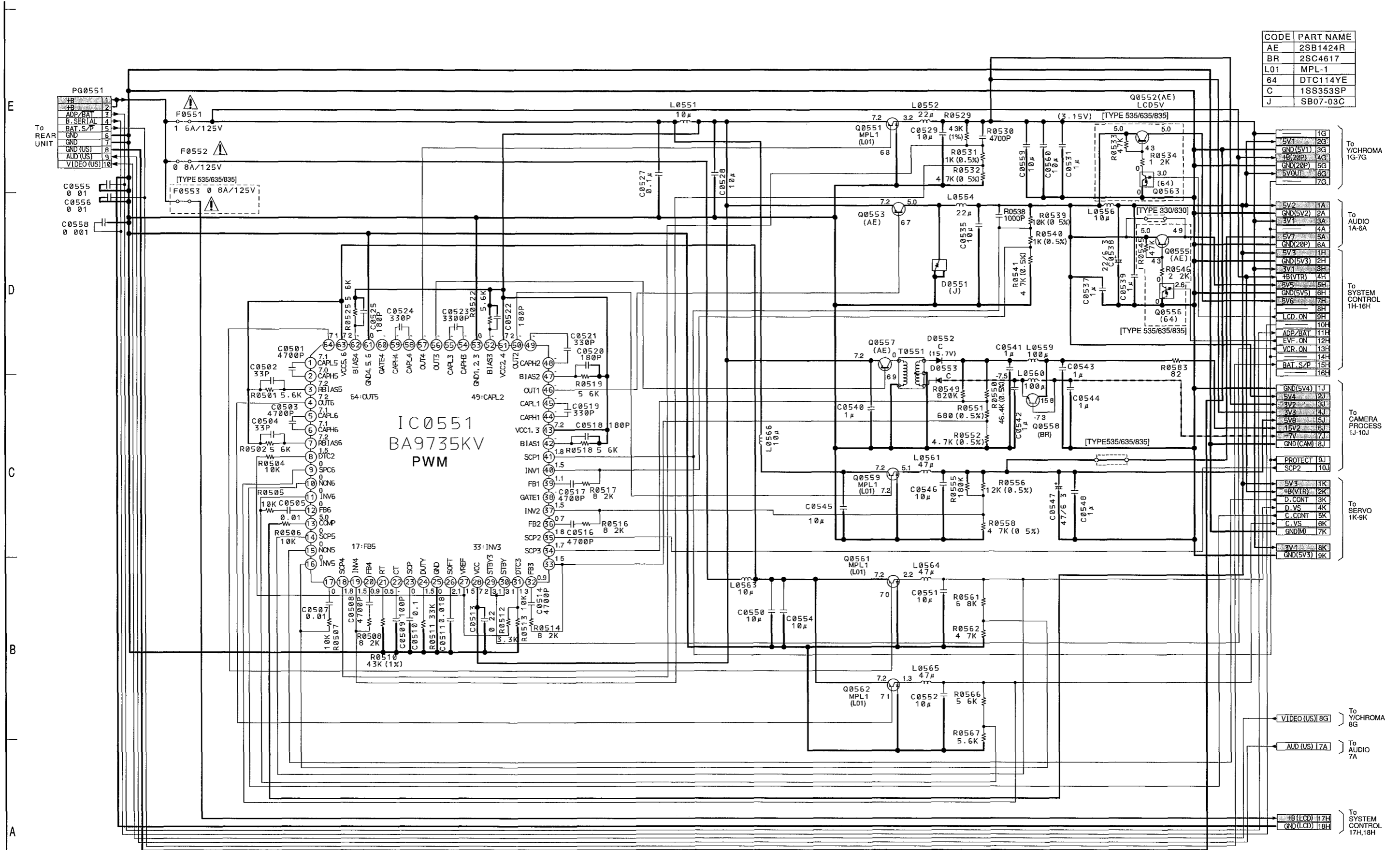


## AUDIO-STEREO [VCA]

PG0402		To SPEAKER	
2	SP. OUT (-)		
1	SP. OUT (+)		

# DC-DC CONVERTER [VCA] SCHEMATIC DIAGRAM

CODE	PART NAME
AE	2SB1424R
BR	2SC4617
L01	MPL-1
64	DTC114YE
C	1SS353SP
J	SB07-03C

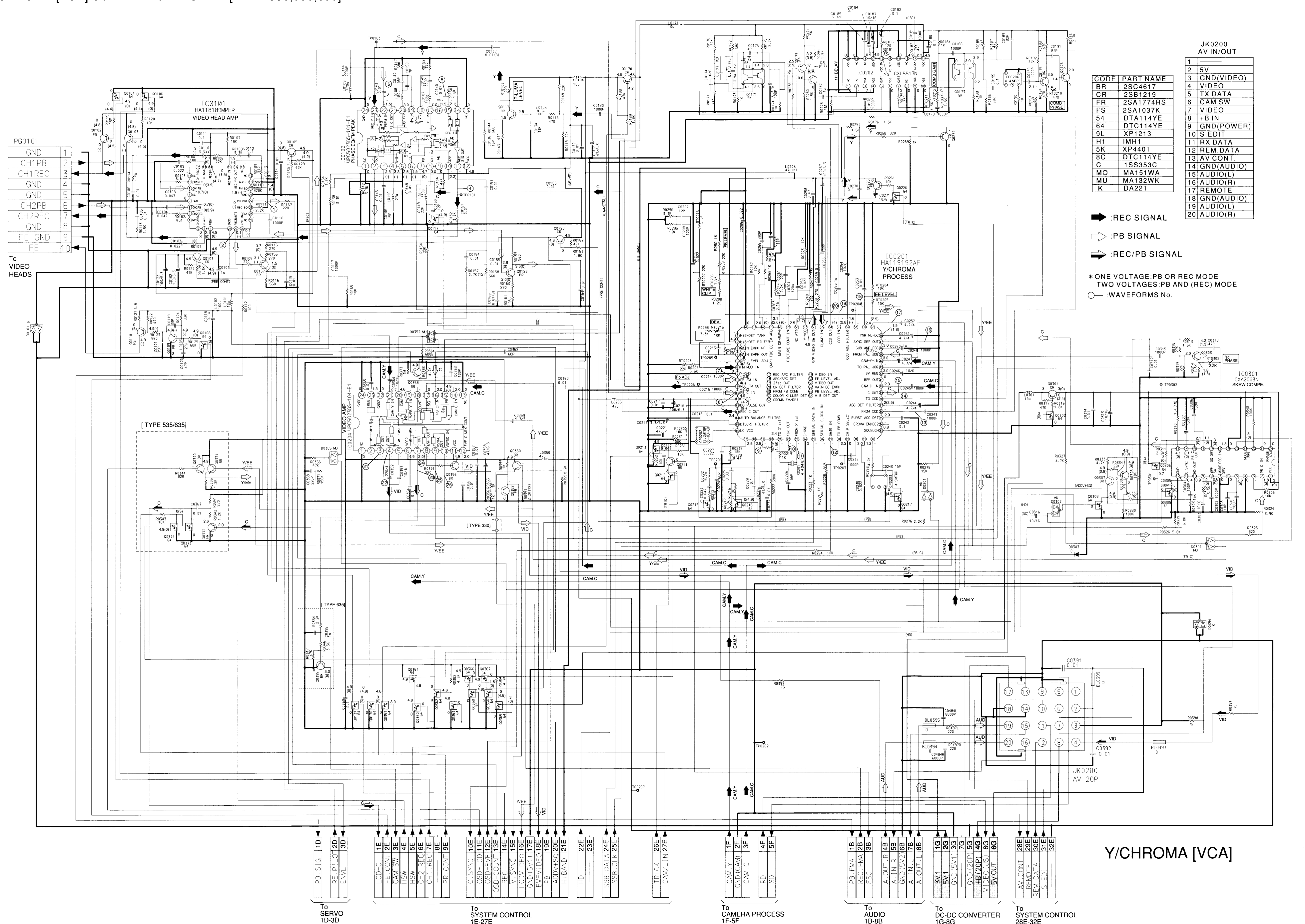


※ VOLTAGE: STOP MODE

## DC-DC CONVERTER [VCA]

- To YICROMA 1G-7G
- To AUDIO 1A-6A
- To SYSTEM CONTROL 1H-16H
- To CAMERA PROCESS 1J-10J
- To SERVO 1K-9K
- To YICROMA 8G
- To AUDIO 7A
- To SYSTEM CONTROL 17H,18H





CODE	PART NAME
BR	2SC4617
CR	2SB1219
FR	2SA1774RS
FS	2SA1037K
54	DTA114YE
64	DTC114YE
9L	XP1213
H1	IMH1
5K	XP4401
8C	DTC114YE
C	1SS353C
MO	MA151WA
MU	MA132WK
K	DA221

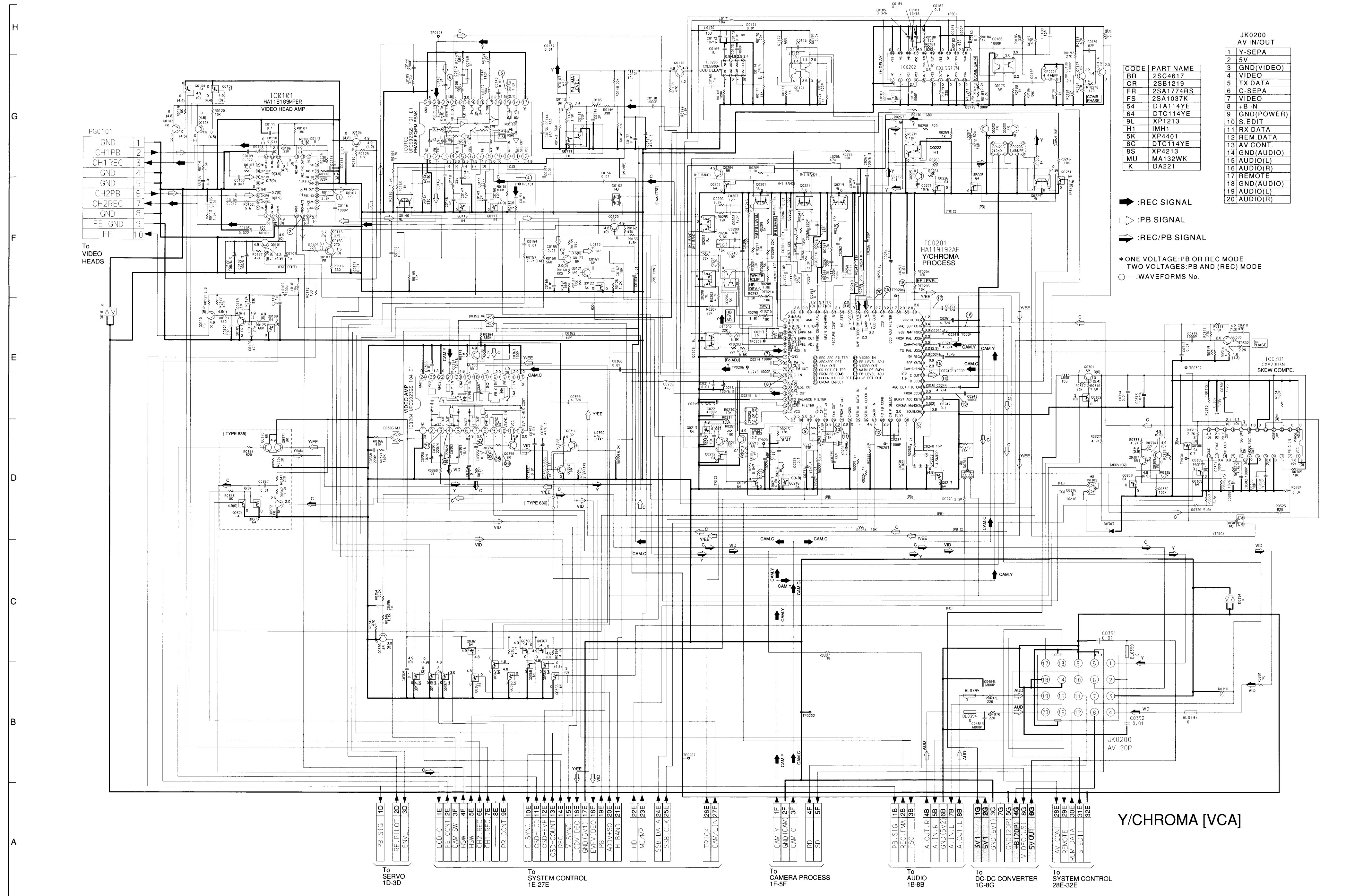
JK0200 AV IN/OUT	
1	
2	5V
3	GND(VIDEO)
4	VIDEO
5	TX DATA
6	CAM SW
7	VIDEO
8	+B IN
9	GND(POWER)
10	S.EDIT
11	RX DATA
12	REM. DATA
13	AV CONT.
14	GND(AUDIO)
15	AUDIO(L)
16	AUDIO(R)
17	REMOTE
18	GND(AUDIO)
19	AUDIO(L)
20	AUDIO(R)

- ➔ :REC SIGNAL
- ➞ :PB SIGNAL
- ➔➞ :REC/PB SIGNAL

\* ONE VOLTAGE:PB OR REC MODE  
 TWO VOLTAGES:PB AND (REC) MODE  
 ○ :WAVEFORMS No.

Y/CHROMA [VCA]

Y/CHROMA [VCA] SCHEMATIC DIAGRAM [TYPE 630,835]

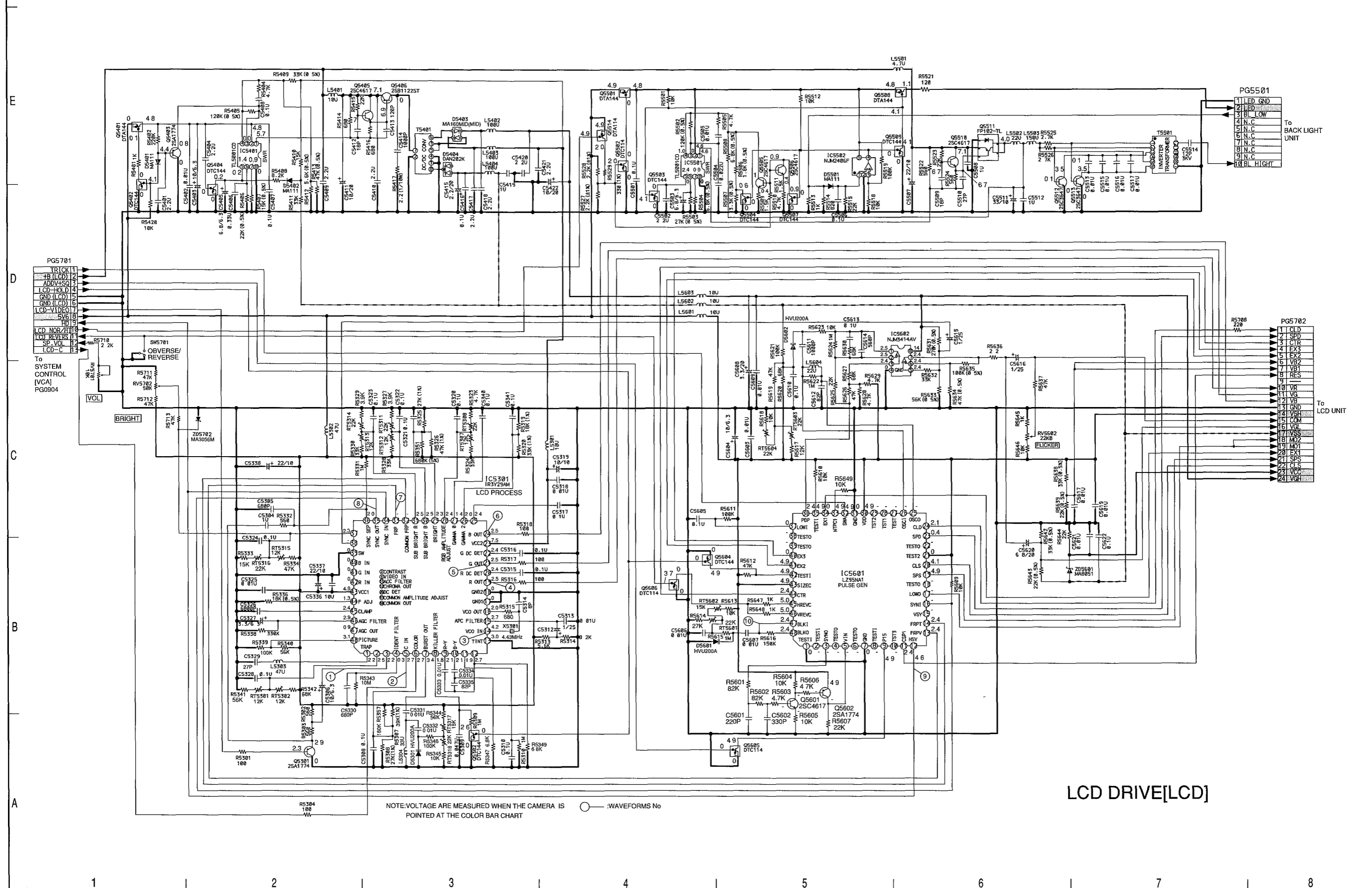


CODE	PART NAME
BR	2SC4617
CR	2SB1219
FR	2SA1774RS
FS	2SA1037K
54	DTA114YE
64	DTC114YE
9L	XP1213
H1	IMH1
5K	XP4401
8C	DTC114YE
8S	XP4213
MU	MA132WK
K	DA221

- ➔ : REC SIGNAL
- ➡ : PB SIGNAL
- ➔➡ : REC/PB SIGNAL
- \* ONE VOLTAGE: PB OR REC MODE
- TWO VOLTAGES: PB AND (REC) MODE
- : WAVEFORMS No.

JK0200 AV IN/OUT	
1	Y-SEPA
2	5V
3	GND(VIDEO)
4	VIDEO
5	TX DATA
6	C-SEPA
7	VIDEO
8	+B IN
9	GND(POWER)
10	S.EDIT
11	RX DATA
12	REM. DATA
13	AV CONT.
14	GND(AUDIO)
15	AUDIO(L)
16	AUDIO(R)
17	REMOTE
18	GND(AUDIO)
19	AUDIO(L)
20	AUDIO(R)

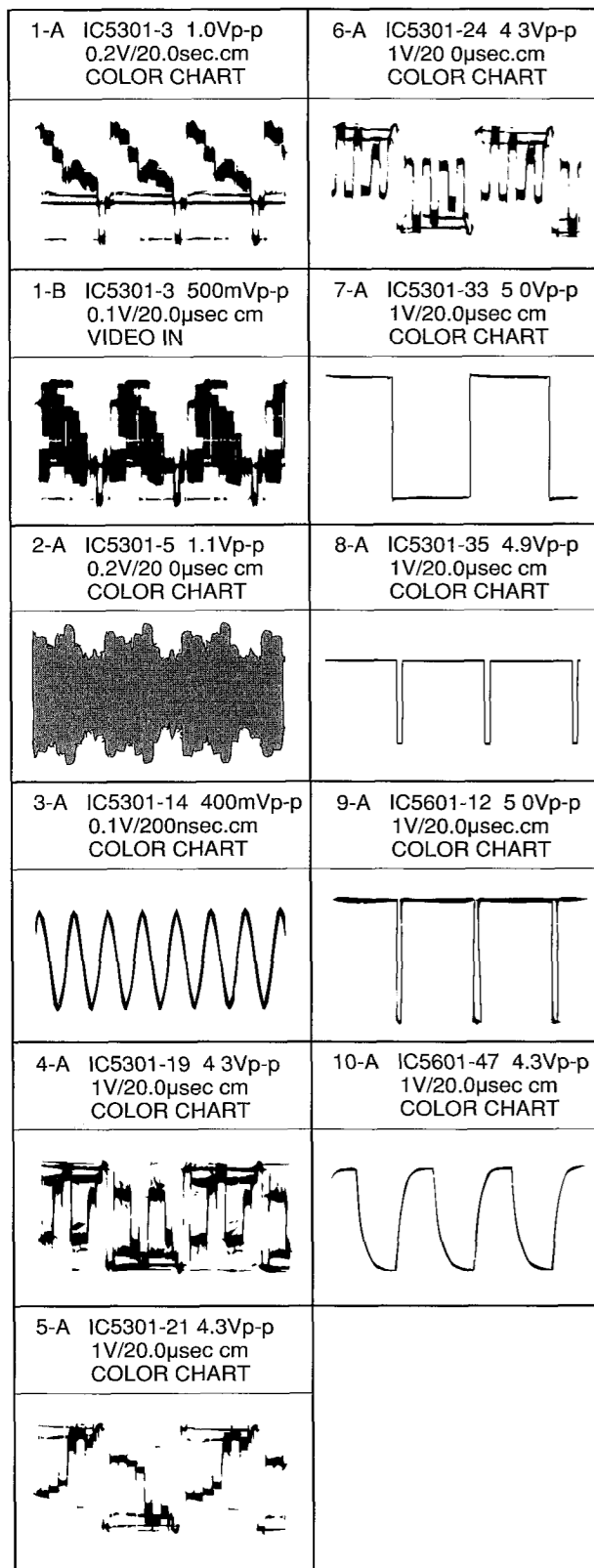
# LCD DRIVE [LCD] SCHEMATIC DIAGRAM [TYPE 535,635,835]



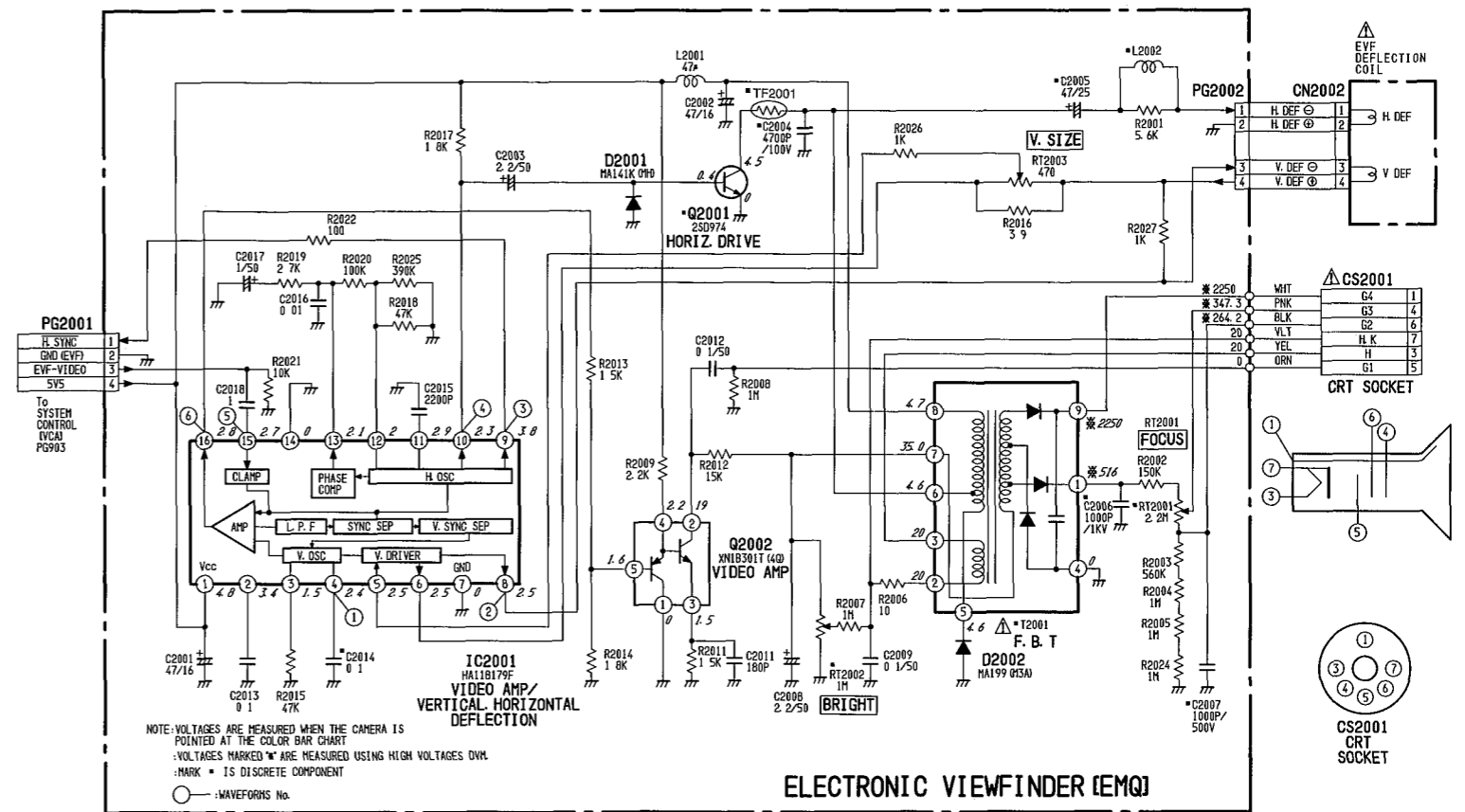
LCD DRIVE[LCD]

NOTE: VOLTAGE ARE MEASURED WHEN THE CAMERA IS POINTED AT THE COLOR BAR CHART

WAVEFORMS [LCD]



ELECTRONIC VIEWFINDER [EMQ] SCHEMATIC DIAGRAM



WAVEFORMS [EMQ]

